

Content

I.Product Performance Introduction.....01

II.Automatic Smart Lock Structure.....02-03

III.Installation Notes.....04

IV.Function Setting Description.....05-08

V.Maintenance and Management.....08

VI.Other Instructions.....09

VII.After-sale Service.....09

Performance Characteristics

I. Product Description:

The automatic smart anti-theft door lock is a high-tech product independently researched, developed, produced and sold by our company. The fingerprint head adopts the living body fingerprint imaging technology, which is safe, reliable, intelligent and stable. Because of its advantages of quick after-sales, it is widely used in homes, villas, offices and other fields.

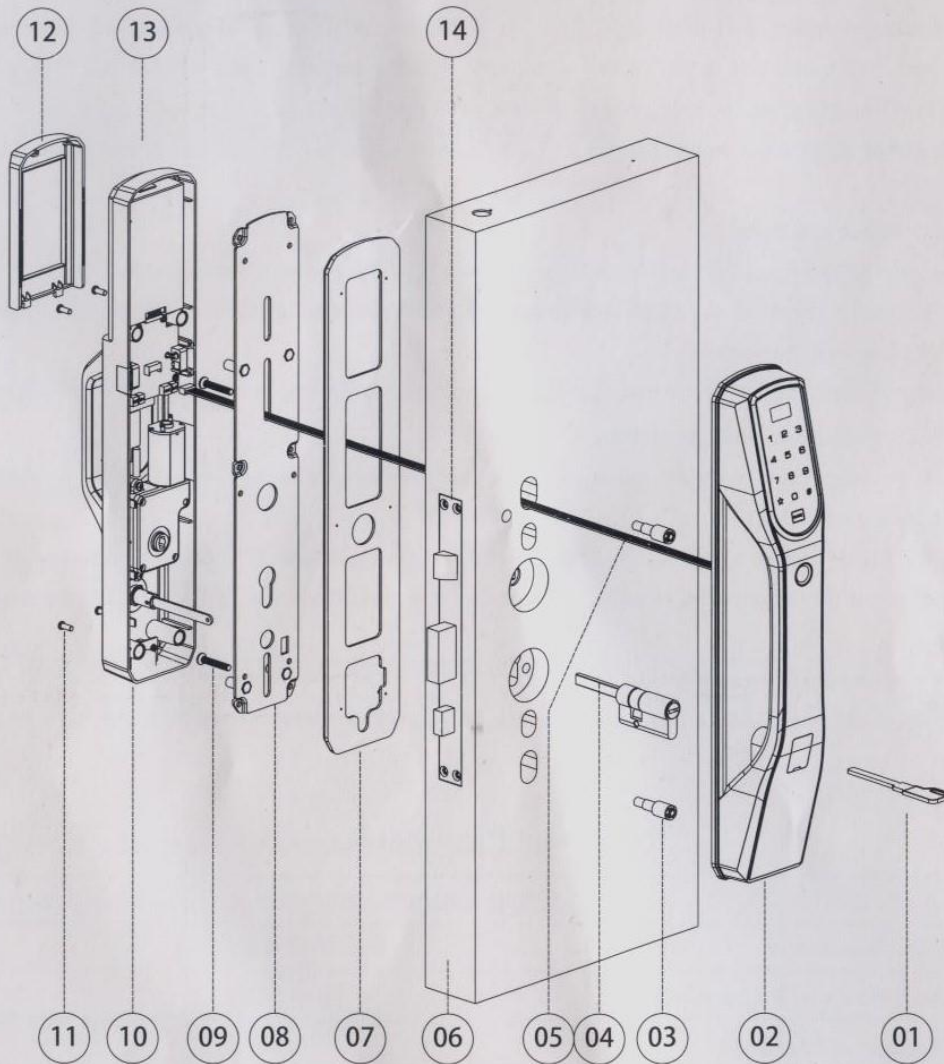
II. Product Characteristic

1. It is easy to install, and its upper and lower stencils of the panel can be adjusted freely; 99% of the lock body on the market can be wildly matched with no need to replace the original door lock or directly replace the opening.
2. Fingerprint unlocking, password unlocking, card unlocking and mechanical key unlocking are available, Wechat-assisted unlocking
3. It can be supplemented with remote unlock and mobile phone APP remote unlock, which is efficient and convenient.
4. The lock itself is applied with a doorbell and no additional doorbell needs to be purchased.
5. Independent dual system operation, front and rear panels have a separate operation protection system.
6. Anti-person password protection.
7. The input error exceeds 5 times continuously, and the system automatically locks for 3 minutes.

Technical Parameters

Quiescent Current	< 50 microamps (battery life can be more than two years)
Working current	0.5 to 2 ampere
the Number of Fingerprints	<= 300
Number of Passwords	<=300
Resolution	500DPI
Ture-rejection Rate	<0.15%
False Rate	<0.00004%
Operating Temperature	-10℃-60℃
Relative Temperature	20% to 93%
Number of Work Cards	<=300
Card Type	Mifare 1
Working Power	8.4v lithium battery 4200 mA

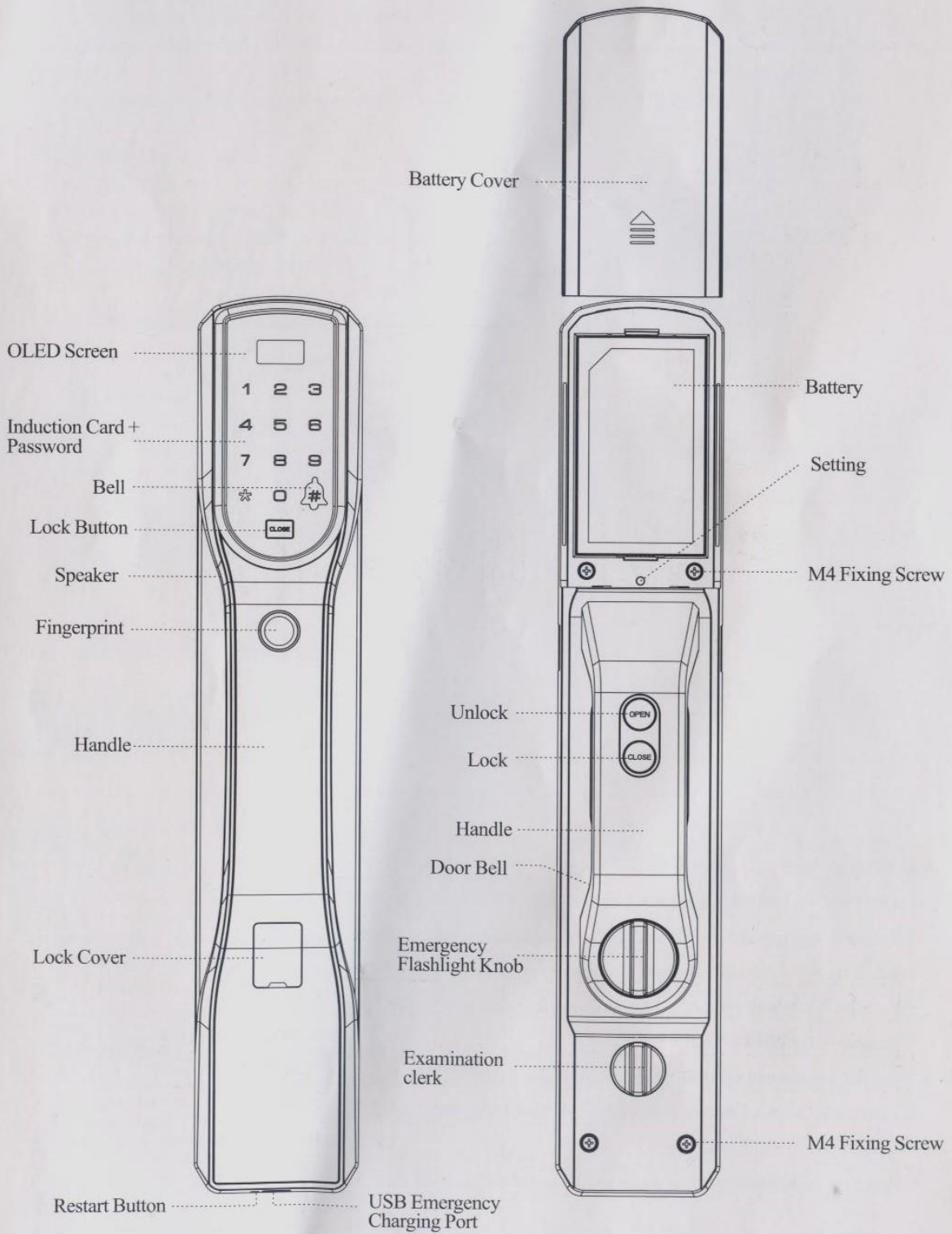
Structure of Automatic Smart Lock



No.	Name	Qty
01	Blade Key	2
02	Front Panel Assembly	1
03	Fixed Column M4	2
04	Lock Core	1
05	Motherboard Connector	1
06	Door	
07	Silicone Pad	1

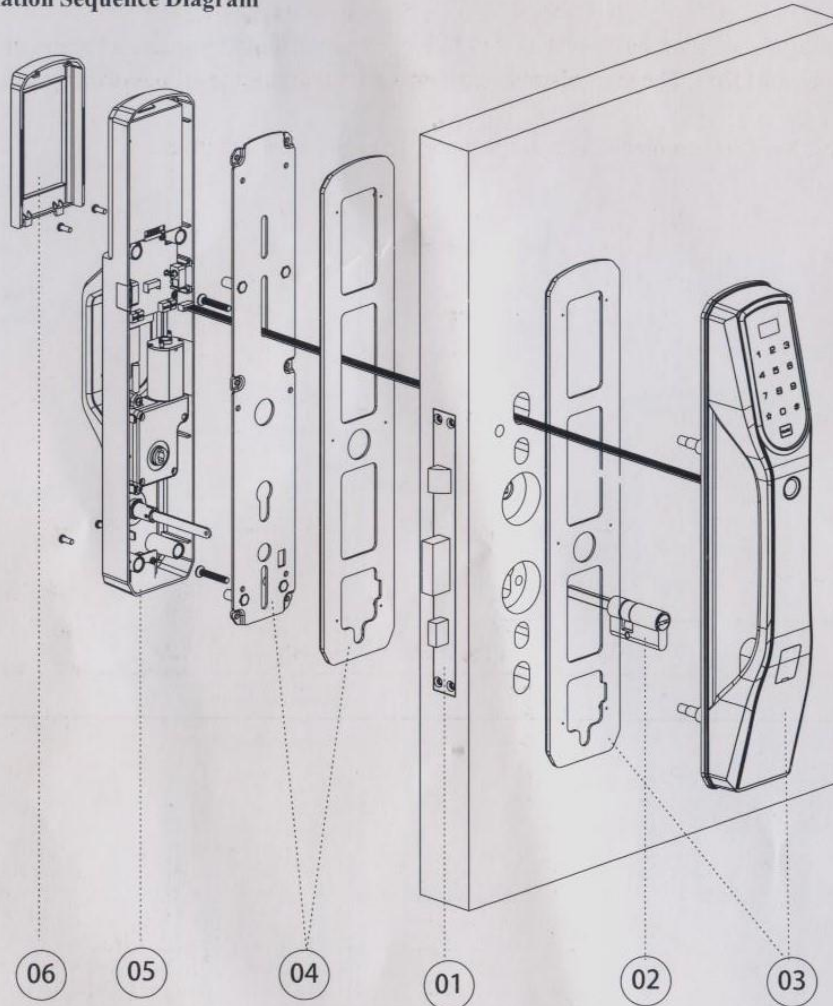
No.	Name	Qty
08	Rear Baseboard	1
09	M5 Fixing Screw	2
10	Rear Panel Assembly	1
11	M4 Fixing Screw	4
12	Battery Cover	1
13	Lithium Battery	1
14	Lock Body	1

Automatic Smart Lock Functions



Structure of Automatic Smart Lock

Installation Sequence Diagram



Installation Steps

1. First install the lock body and fix the lock body with M5*6 screws (4 pieces).
2. Install the lock cylinder and use M5*65 screws (one lock cylinder to ensure that the cylinder of the lock cylinder is facing the room; length: the exposed plane is 18~20mm long (Figure 2, must cut copper bars after installing lock).
3. Install the front panel
4. Install the bottom plate (add pad), and fix the front plate 2 studs with M 5 screws.
5. Connect the front and rear panel data cables, and then install the rear panel to the hole, and fix it with M4 screws.
6. Install the lithium battery, cover the battery cover, and the process is over.

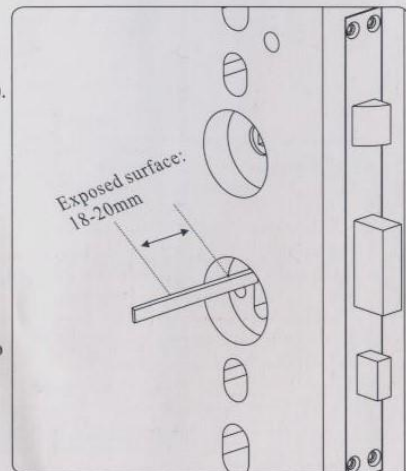


Figure II

Function Setting Description

I. Precautions

1. All locks are blank when leaving the factory. Any fingerprint or door card can open the door.
2. The administrator's default password is "123456". When using it, please change the default administrator password first. The administrator password is the highest level password, please keep it safely!
3. The mechanical key is recommended for safekeeping in an outdoor safe place.

II. System Initialization

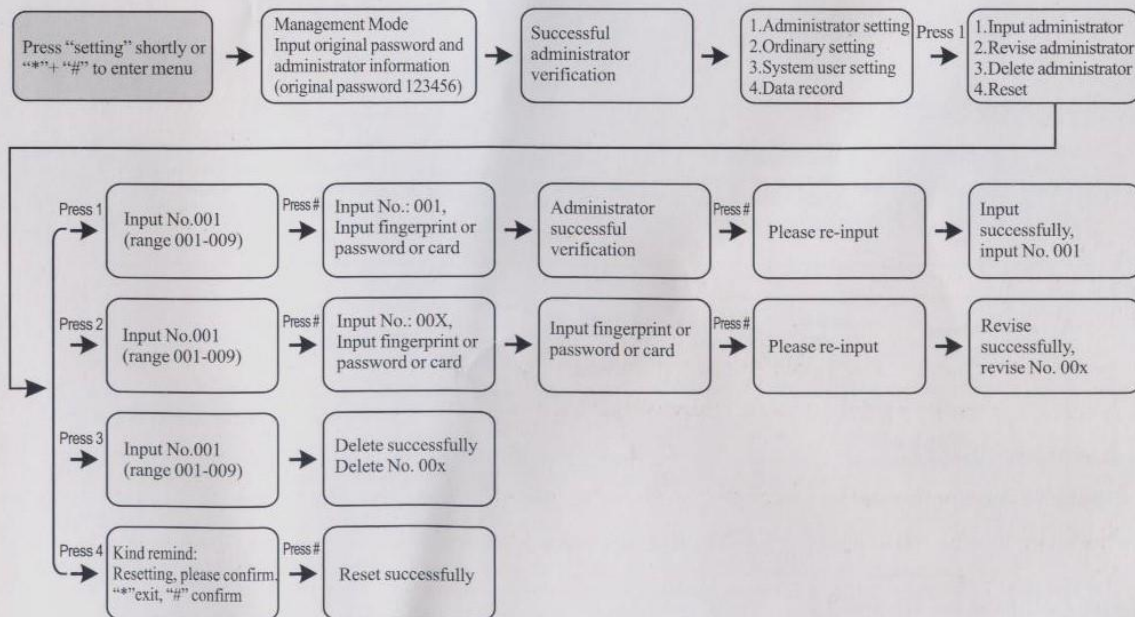
Press and hold the "settings" button on the battery pack on the rear panel for about 6 seconds. The indicator will flash. The screen displays: initialization is successful. At this point, any fingerprint can be unlocked. After the initialization, the default password is "123456" (enter the administrator After the information, the system default password "123456" is automatically deleted).

Note: Return key, "*" for confirmation, "5" for up, "8" for down.

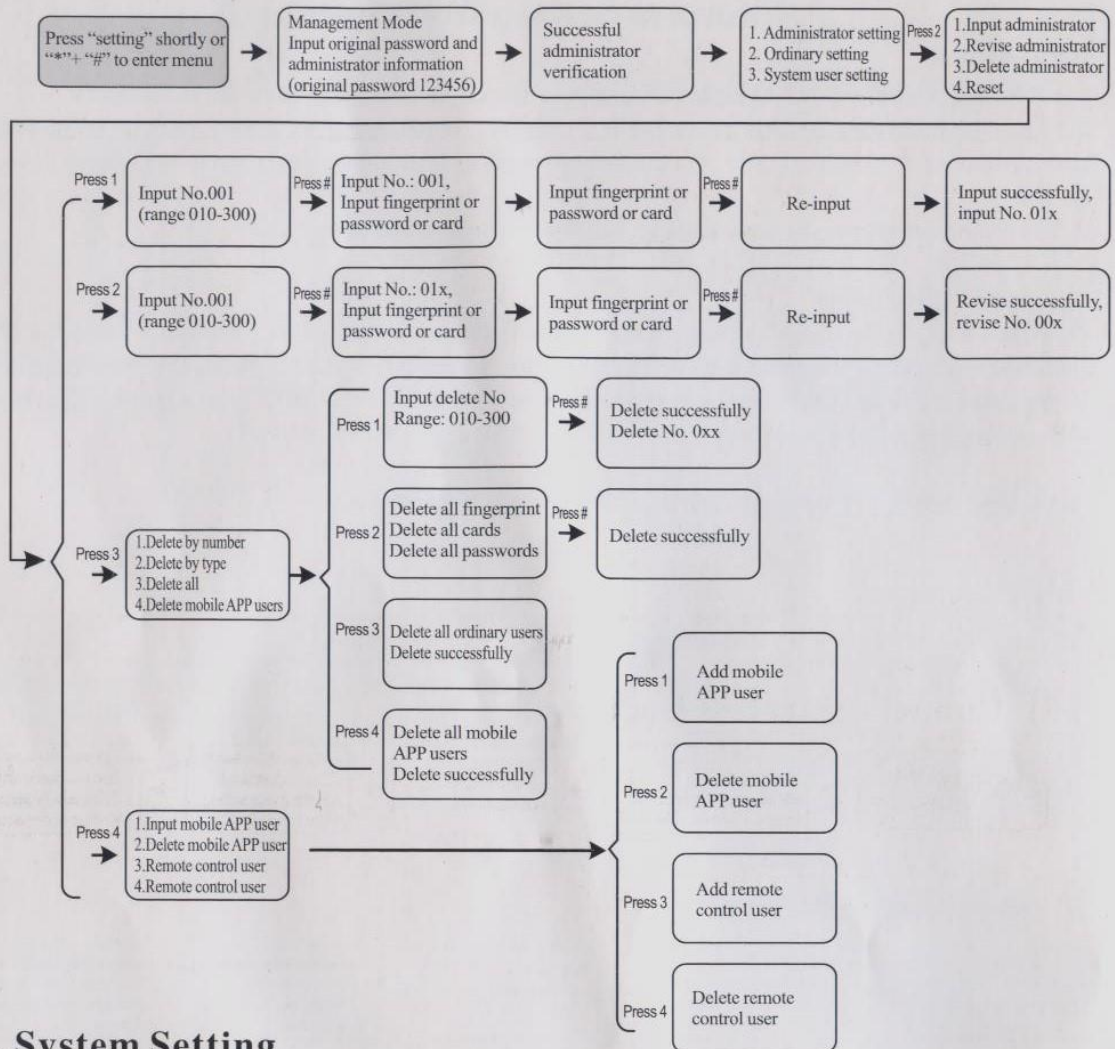
Brief Introduction

Key to door	Qty	Number range	Description
Administrator	9	001-009	Administrators can be fingerprints, passwords or door cards
Ordinary user	291	010-300	Ordinary users can be fingerprint, password, door card, remote control, mobile phone APP
Mechanical key	2		

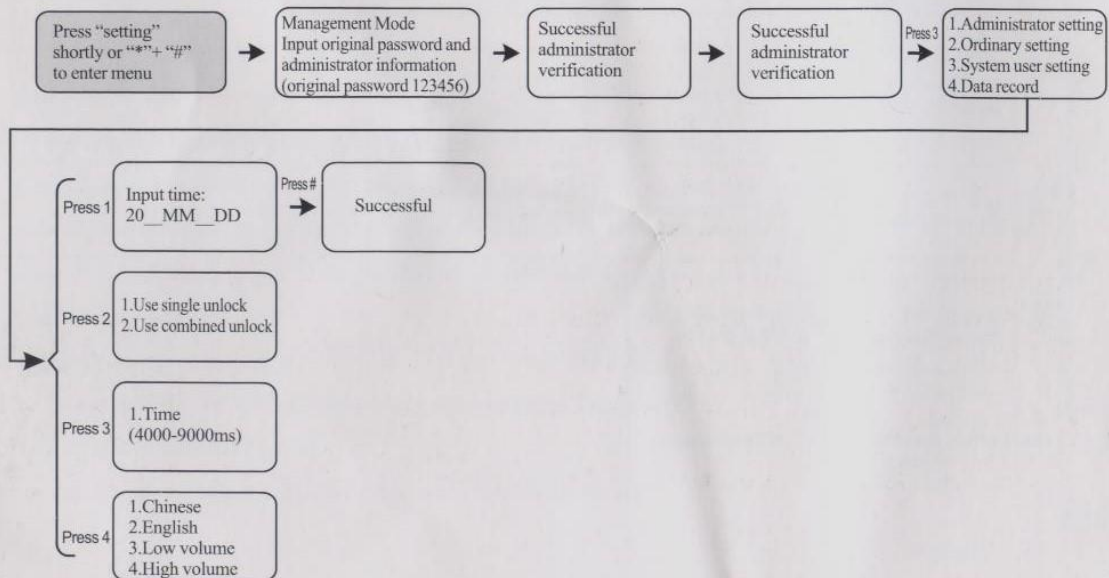
III. Administrator Setting



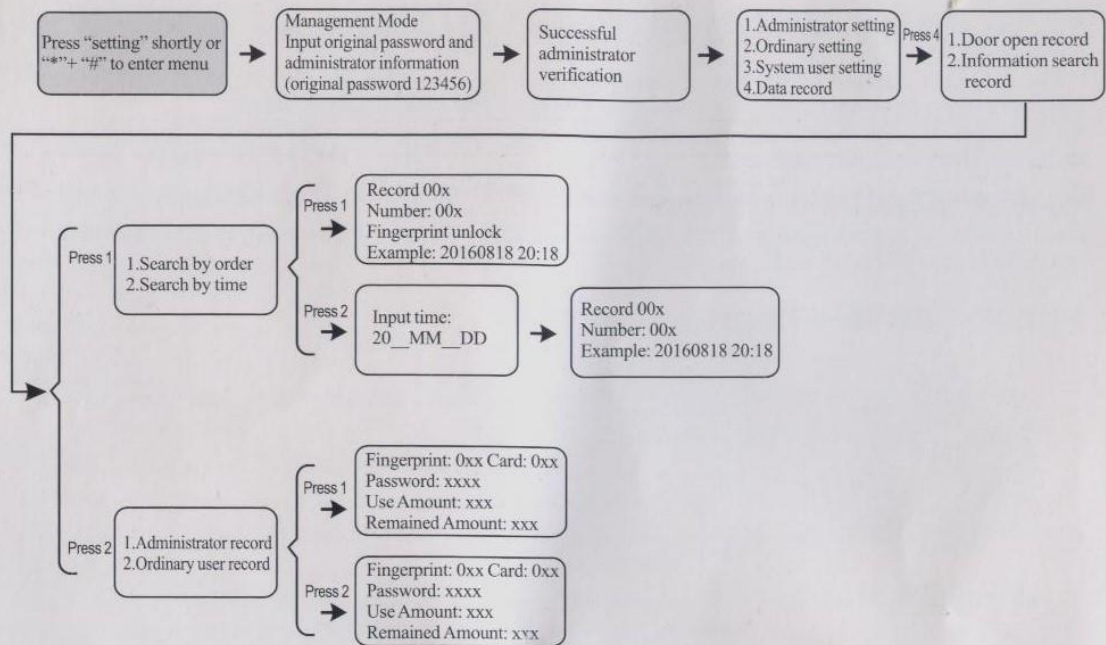
III. Ordinary User Setting



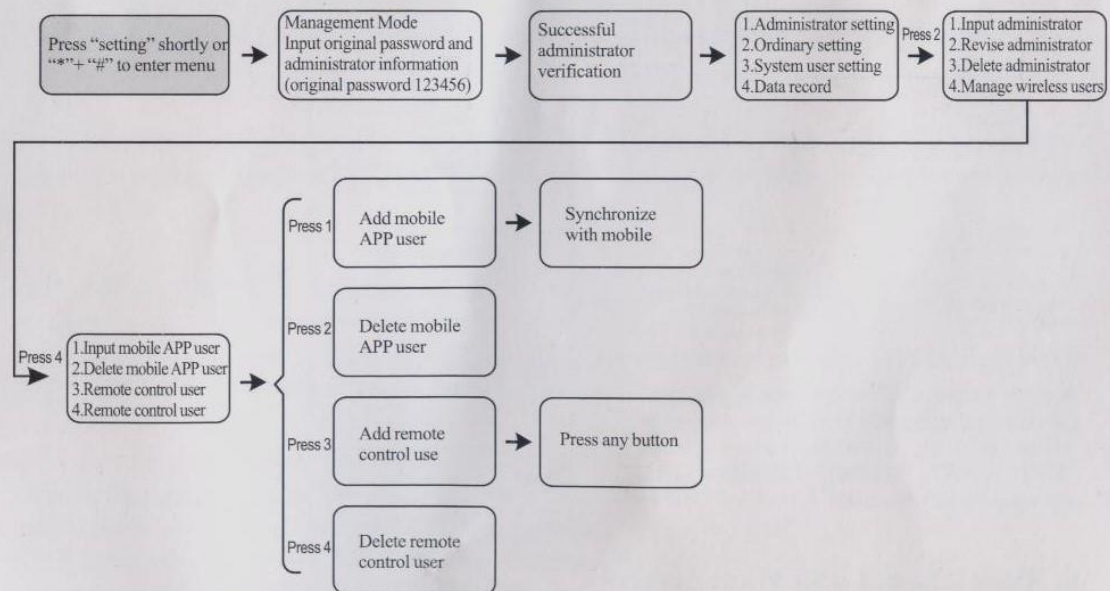
V. System Setting



VI. Data Record



VII. Connect Wireless User



Add mobile APP user:

1. mobile phone to connect home wifi, open mobile phone PP "Youzhi Cloud";
2. Click "My Devices" on the "Myself" page on the right and click the "+" sign in the upper right corner;
3. Click "Door Lock" to enter the Add Door Lock page, click Next;
4. Set the user's remote unlock graphic password (not less than 4);
5. In the device connection page, enter the home wifi account and password, not to click any more;
6. In the smart lock ordinary user input interface, enter "4" to enter the "Manage Wireless Users" setting interface;
7. Press "1" to start adding users. At the same time, click Next on the Settings Connection page of the mobile phone PP.
8. Wait for connection, after successful, and check the door lock module on the mobile phone PP to complete the connection.



App cut down

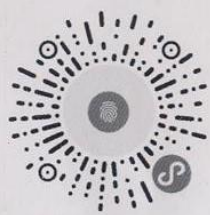
Precautions:

- * The mobile phone connection door lock device needs to be added at the same time as the smart lock adding user;
- * The wifi account used by the first mobile phone user will become the default account of the smart door lock. Other users need to be in this wifi network to add mobile phone users;
- * After removing the remote user, the mobile phone user needs to delete the original door lock device on the mobile phone and reconnect.

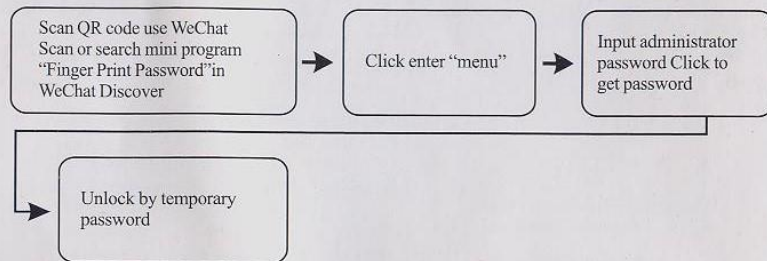
Mobile APP Remote Unlock Application

Input “3” and “#” to send remote unlock application order; all the mobile users will receive remote unlock application which is valid within one minute.

VIII. WeChat Mini Program Unlock



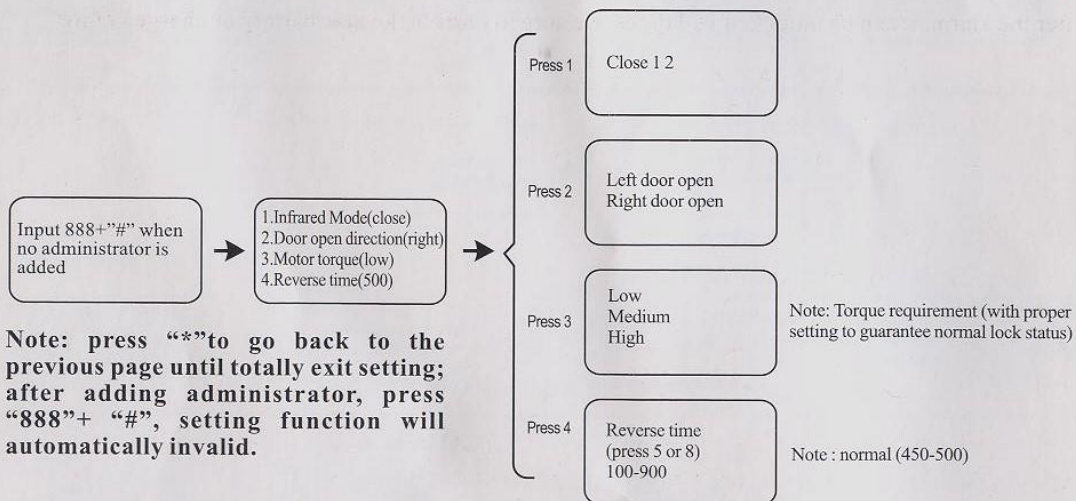
Scan by Wechat



Note:

1. Authorize temporary unlock
2. Please confirm mobile time and door lock time are the same; change time if they are not the same.

IX. Commissioning instructions(for installers, please exercise with caution)



Note: press “*” to go back to the previous page until totally exit setting; after adding administrator, press “888”+ “#”, setting function will automatically invalid.

X. Maintenance and Management

1. Daily maintenance of smart door locks

The door lock surface needs regular daily maintenance to keep the door lock clean and smooth. Use a soft, clean dry cloth to wipe the surface. Disable water and alcohol or acidic chemicals. Regularly invite the professional to add lubrication to add oil or grease to the door locks and replace worn parts.

2. Use of USB emergency power

When the power of the door lock is low enough to be unlocked, it can be unlocked by an external emergency power supply. Note that the battery should be charged for the first time after the lock is unlocked (USB emergency power supply is for emergency use only, please do not use the battery when power is available).

3. If the door is deformed, the lock tongue will be inserted into the door gusset plate and the friction will be too large to fully extend or even be able to pop up. This should adjust the position of the door gusset plate.

Eleven, other instructions

1. The sound and light prompt information of the door lock rang with a long beep: the operation is successful;

Short beep: button prompt;

Two short sounds: operation tips;

Three short sounds: operation failed;

Sirens: illegal operation/low voltage

2. Password defense test: The password has been entered continuously for more than 5 times. The alarm is triggered. If the password is not re-entered before the alarm is cleared, the alarm is still valid. The correct verification will cancel the alarm.

3. Fingerprint prevention test: If the fingerprint is continuously input more than 10 times, the alarm will be triggered. If the fingerprint is not re-input, it will still be alarmed. The correct verification will cancel the alarm.

4. Door card defense test: The door card continuously enters more than 10 errors, triggers an alarm, reenters it before it is released, and still alarms. The correct verification will cancel the alarm.

5. Password anti-peeping function: input XXX password XXX, you can add some unrelated code before and after the password, and then press OK, the password must be included in the input content.

6. The system will automatically exit after no operation for more than 5 seconds.

7. After the voltage is lower than 7.2V, it will alarm automatically every time the lock is unlocked. After the alarm, it can be unlocked 100 times. Be sure to replace the new battery or charge before unlocking.

8. External power supply: When the internal battery is exhausted and the door cannot be opened, a 5V USB power supply can be used to connect an external USB emergency charging port. You can open the door in an emergency.

XII. After-sales Service

1. Product quality commitment

All the products introduced by our company have passed the tests of our company's professionals. For example, during the use or installation process, due to product quality problems, our company can solve them.

2. Full-automatic smart lock warranty period is _year.

3. During the warranty period, the following conditions must be repaired as a fee:

1. Malfunction and damage caused by improper operation and improper repair.

2. Failures and damage caused by post-buy shipping, moving, leaping.

3. Other unavoidable damages caused by external factors.

4. Damages caused voltage by using other than the specified power.

5. In the free warranty period, damages caused by improper use of human factors or damage caused by force majeure.

4. All products can enjoy life-long maintenance services after they are sold.